

fireline™

S T O V E S

Wood burning and multi-fuel stoves



Relax with the glow of a real flame



A tradition of warmth and comfort from Fireline

Reinstate a tradition and style from the past by enjoying the warmth and comfort of the Fireline Stove Collection

Fireline wood burning and multi-fuel stoves provide heating with advanced firebox and combustion technology, which results in our cleanest burning, most efficient stoves yet.

This performance is the result of constant research, European design and exacting assembly standards; using cast iron, stainless steel, ceramic glass and high-grade heat resistant coatings. Fireline stoves are designed and manufactured to comply with CE Standard 13240.

Fireline stoves incorporate a unique air management system with an innovative clean burn and air wash technology, which gives the user total control of the air supply to the appliance.

The end result is a cleaner heat, cleaner home, cleaner flue and a cleaner, greener environment. Even the glass window has an air wash system to help keep it clean.

FP and FX Stoves Key Features

- 5mm and 8mm laser profiled and seam welded construction for strength and long life
- Draught controlled tertiary air system
- Stainless steel ashpan & fixings
- Quality cast iron door
- Fully multi-fuel equipped cast iron grate
- Exceptionally large ceramic glass window
- Very clean burning
- Multi function tool & stove gloves supplied
- Easy servicing often needing no tools
- Interchangeable top or rear flue outlet

TTi Air System (for FP and FX Stoves)

Fireline's integral patented TTi airwash system is a self regulating system that provides a clean burn, reduced CO and particulate emissions, resulting in very high efficiency and an exceptionally clean glass.





4kW freestanding stoves



FP4 square door model shown in Balmoral mantel

FX4 & FP4 multi-fuel stoves

Superior, large stove performance from a petite, narrow design means that both models combine the efficiency and economy of a small stove, with the enhanced performance of a much larger model. Continuous research and development has created a clean burning heat that gives a cleaner, greener environment. Fitting virtually any aperture, this petite design is freestanding, with a choice of either a square or curved door, offering a superb flame 'picture', whether you are burning wood or solid fuel.



FX4 curved door model



*Sit back, relax
and enjoy the real
beauty of a living fire*

5kW freestanding stoves



FX5 with curved door in the Aylesbury limestone mantel

FX5 & FP5 multi-fuel stoves

Traditional and contemporary, these new 5kw multi-fuel stoves look equally harmonious in a farmhouse inglenook, as they will in a newly built town house. Both stoves are freestanding with either a curved or square door and large flame picture. For people living in a smoke controlled area, these Fireline stoves are DEFRA approved, which means they meet the latest UK Clean Air Act, giving a greener source of heat.



FP5 square door model



8kW freestanding stoves



FP8 square door model shown

FX8 & FP8 multi-fuel stoves

The FX8 and FP8 stoves are big, heavy-weight, freestanding designs, made from traditional cast iron with extra wide ceramic glass flame viewing windows. Ideally suited for larger rooms, these stoves can pump out a really serious amount of heat. Both stoves have exactly the same specifications, except for the door design, here you have a choice of either a square or a curved door feature. Whichever one you choose, the extra wide flame picture will enhance even the biggest room.

***Nothing beats
coming home to
a roaring log fire***



*Make Fireline
the heart and
soul of your home*

Inset wood-burning stoves



FPI5 Inset Stove in Stokesay Limestone

FPI5 wood-burning stoves

Create a stunning impression in your living room and enjoy the pleasure of a real wood-burning stove. Today's stoves burn wood efficiently and cleanly, providing maximum heat and a focal point in any home. The 16" x 22" FPI5 has been designed to fit virtually any standard class I chimney. This means fitting should be easy, with little building work required. This fire is DEFRA approved for use in smoke controlled areas. When married to a Fireline limestone mantel, like the Stokesay, illustrated above, the effect can be truly stunning.



FPI5 Inset Stove with 4 sided trim



FPi8 Inset Stove with 4 sided trim

FPi8 wood-burning stove

A classical, yet contemporary design, the FPi8 features a truly stunning, wide flame window, which gives this model a room presence like no other wood-burning stove.

The extra large fire chamber will take logs over ½ metre in length, which results in a longer burn and more efficient heat, not to mention the time saved in cutting small logs. It's available with a choice of a 3 or 4 sided trim (see insert) and when married to one of our limestone mantels like the Radnor, illustrated right, the effect is a real show stopper.



FPi8 Inset Stove in Radnor Limestone



Beautifully crafted stoves in timeless cast iron

The FT Range

FT Stove Range patented air management system

By controlling three airflows into the stove, through a patented air management system this allows complete control of the flame picture, from a deep glow to whirling flames. Here's how it works.

1. Primary Air – controls delivery of air to the bottom of the stove, allowing control of the rate of combustion.

2. Secondary Air – the user controls air at the top of the appliance, dropping down the front of the glass to draw air into the combustion chamber, where it re-ignites volatile by-products emitted from the burning fuel.

3. Tertiary Air (FT5 and above) – control of pre-heated air at the top of the unit, passes through a heat exchanger chamber to provide re-heat in order to create after-burn.

The control of all three airflows through the patented air management system allows complete control of the flame picture, from a deep glow to whirling flames.



FT6.5 shown with top flue exit

FT Range – FT3 / FT5 / FT6.5 / FT8

The European designed FT range is the result of continuous research and development, offering our cleanest burning, most efficient stoves yet.

Fitting any stove from the FT range is made simple and flexible with top or rear flue exits. FT5 models and above also come with a fitted Tertiary Air System and riddling grate as standard.



FT3 using top flue outlet

FT4 Inset Stove



FT4 shown in special Barcelona in Persian limestone mantel

FT4 Inset Stove

The FT4 Stove effectively combines the efficiency of a wood burning stove with the neat simplicity of an inset fire. By adding the FT4 to an existing solid fuel fireplace, efficiency will be instantly improved from typically less than 20% to in excess of 70% giving a massive increase in economy on fuel and much greater output. In addition to the superior performance normally given by an inset stove, this appliance has a built in concealed convection chamber further enhancing its performance. It comes complete with secondary air controls and air wash to improve the view of the fire.

Frequently asked questions

1 Do stoves require a chimney?

All of our multi fuel and wood burning stoves require a suitable chimney or professionally installed flue system.

2 Do I require a solid fuel hearth?

No. Due to the low heat temperatures a 13mm super imposed hearth is all that is required (for FP and FX stoves only).

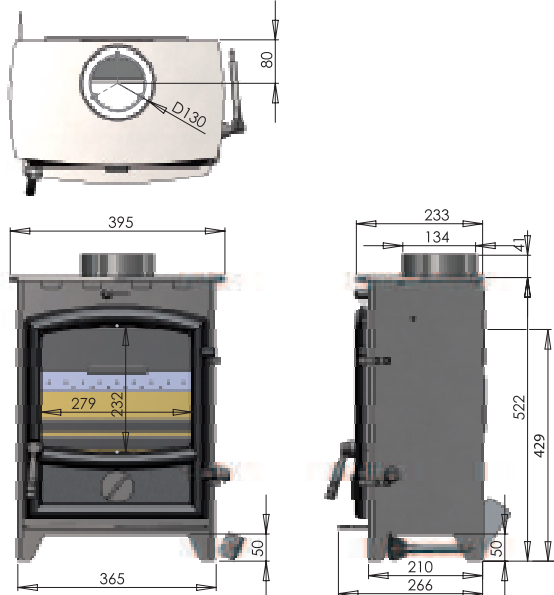
3 How do I regulate the heat output? Each stove has various air controls, which will allow you to easily regulate the heat output and refuelling rate.

4 Who would install my stove? Fireline want you to enjoy the maximum performance from your appliance. To ensure this, it is essential that it is installed correctly. We strongly recommend that your stove is installed by a suitably qualified installer, e.g. HETAS.

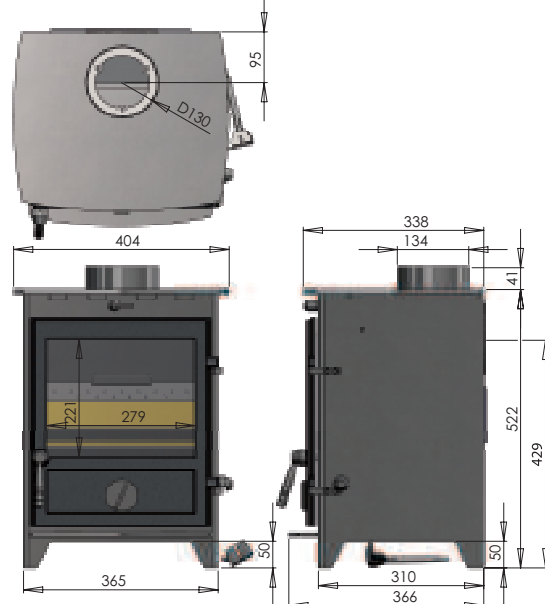


Dimensions and specifications

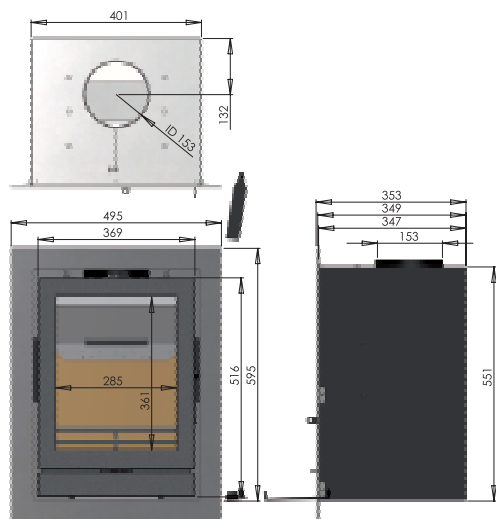
FX4 & FP4 FX4 shown



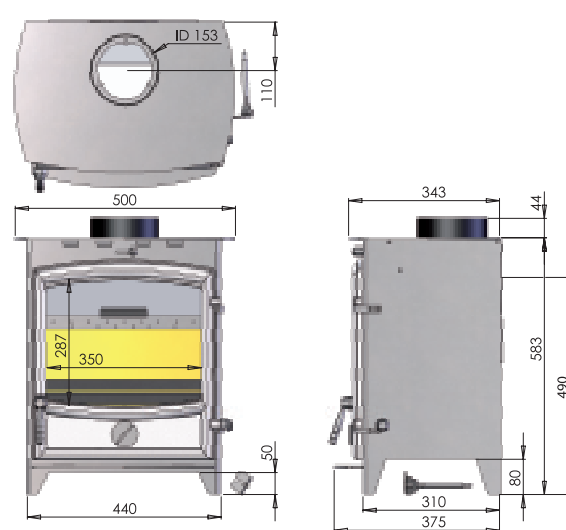
FX5 & FP5 FP5 shown



FPi5



FX8 & FP8 FX8 shown



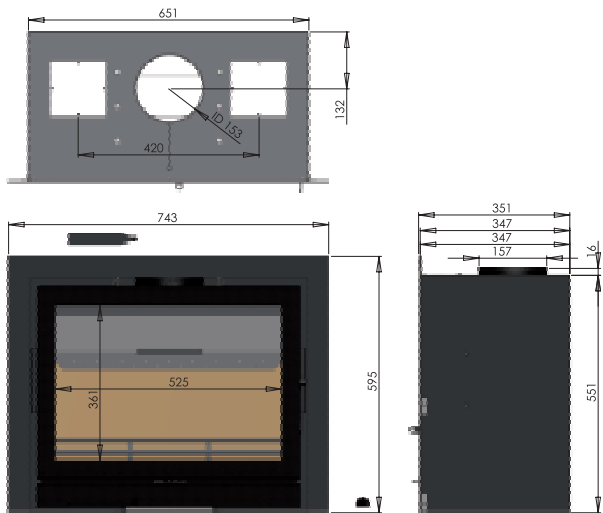
FX/FP Range multi-fuel stoves

Model	FX/FP 4	FX/FP 5	FPi 5	FX/FP 8	FPi 8
Fuel:	Solid fuel or wood	Solid fuel or wood	Solid fuel or wood	Solid fuel or wood	Solid fuel or wood
Flue:	Top & Rear	Top & Rear	Top (inset)	Top & Rear	Top (inset)
Flue Diameter:	127mm (5")	127mm (5")	152mm (6")	152mm (6")	152mm (6")
Finish:	Matt Black	Matt Black	Matt Black	Matt Black	Matt Black
Appliance gross weight (Kg):	54	69.5	64.5	81	90
Efficiency (%) wood fuel/solid fuel:	78/82.4**	81.5/82.1**	80.3	78.6/81**	78.1
Declared nominal output (kW)	4/4**	5/5**	5	7.6/8**	8
Tested refuelling interval (h):	0.75/2.0**	1.5/2.0**	1	1/2.0**	1
Flue gas mass flow: (g/s):	3.9/2.7**	3.5/2.8**	3.9	5.8/4.0**	6.4
*Flue Temp: (Deg C):	235	250	261	302	291
Max Log Length:	300mm 12"	300mm 12"	300mm 12"	375mm 14.5"	540mm 21.25"

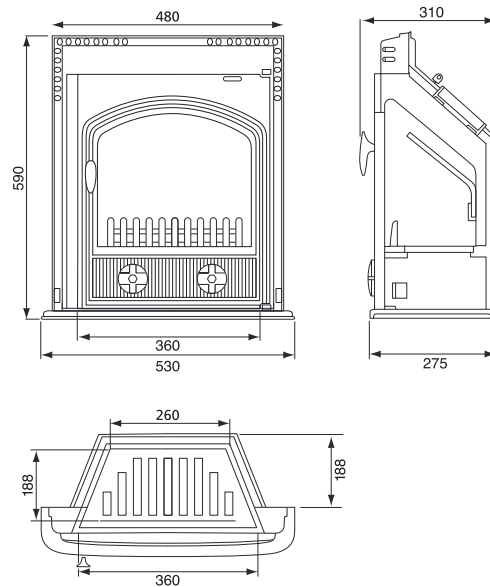
*under nominal heat output **with optional solid fuel kit fitted

Relax to the crackle
of burning wood
and the flicker
of real flames

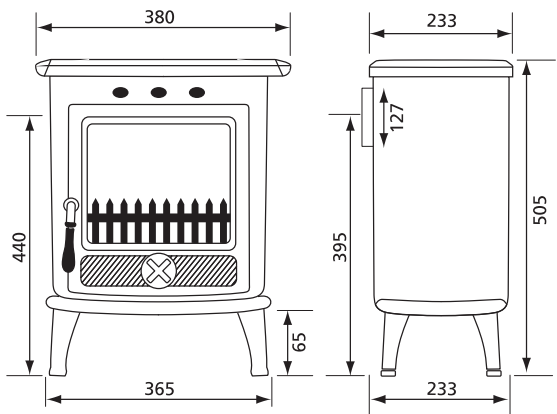
FPi8



FT4 Inset Stove

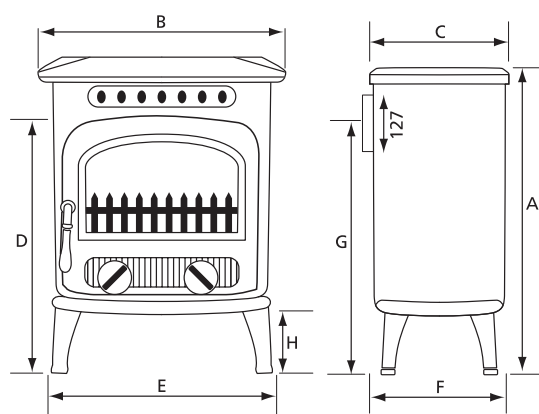


FT3



Efficiency to EN13240 @ 1.25h burn cycle on wood = 79%

FT5 / FT6.5 / FT8



Efficiency to EN13240 @ 1.5h burn cycle on wood =

	FT5	FT6.5	FT8
A	600	660	710
B	445	500	545
C	335	375	388
D	495	540	588
E	455	505	540
F	326	360	390
G	438	485	515
H	135	140	150
	78%	78%	78%

FT Range multi-fuel stoves

Model	FT3	FT4i	FT5	FT6.5	FT8
Fuel:	Solid fuel or wood	Solid fuel or wood	Solid fuel or wood	Solid fuel or wood	Solid fuel or wood
Flue:	Top or Rear (Interchangeable)	Open to chimney	Top or Rear (Interchangeable)	Top or Rear (Interchangeable)	Top or Rear (Interchangeable)
Flue Diameter:	127mm (5")	152mm (6")	127mm (5")	127mm (5")	152mm (6")
Finish:	Matt Black	Matt Black	Matt Black	Matt Black	Matt Black
Appliance gross weight (Kg):	59	82	86	113	136
Efficiency (%) on wood fuel:	79	80.9	78	78	78
Declared nominal output (kW)	4.3	4.3	5.3	6.7	8.2
Tested refuelling interval (h):	1.25	1	1	1	1
Flue gas mass flow: (g/s):	3.7	3.4	3.7	4.1	4.7
*Flue Temp: (Deg C):	236	216	268	269	273
Max Log Length:	250mm (10")	205mm (12")	260mm (10")	300mm (12")	340mm (13.5")

*under nominal heat output



fireline™

Fireline (uk) Limited

Head Office

Unit 22, Gilchrist Road
Northbank Industrial Estate
Irlam, Manchester M44 5AY
Telephone 0161 775 8800
Facsimile 0161 777 8599

www.fireline.co.uk

A division of Charlton & Jenrick Ltd
www.charltonandjenrick.co.uk